



Sink - Series-various

Affusion pipe - polished chrome

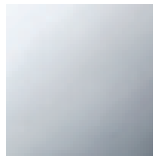
Article number: 27 728 971-00



- 8-5/8" Projection
- Swiveling spout 160°
- Laminar stream
- Total height 4-3/8"
- Height to water exit point 2-5/8"
- 1-3/8" hole diameter
- Flange diameter 2-3/8"
- Water flow rate limited to max. 2.5 gpm
- lead-free

Codes & Standards

- NSF/ANSI 372
- Fittings group in compliance with DIN 4109: 1



polished chrome

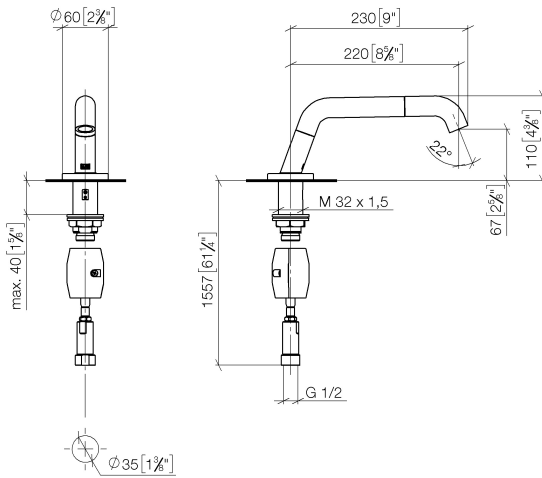
Discontinued items available to order until 31.12.9999



Sink - Series-various
Affusion pipe - polished chrome
Article number: 27 728 971-00

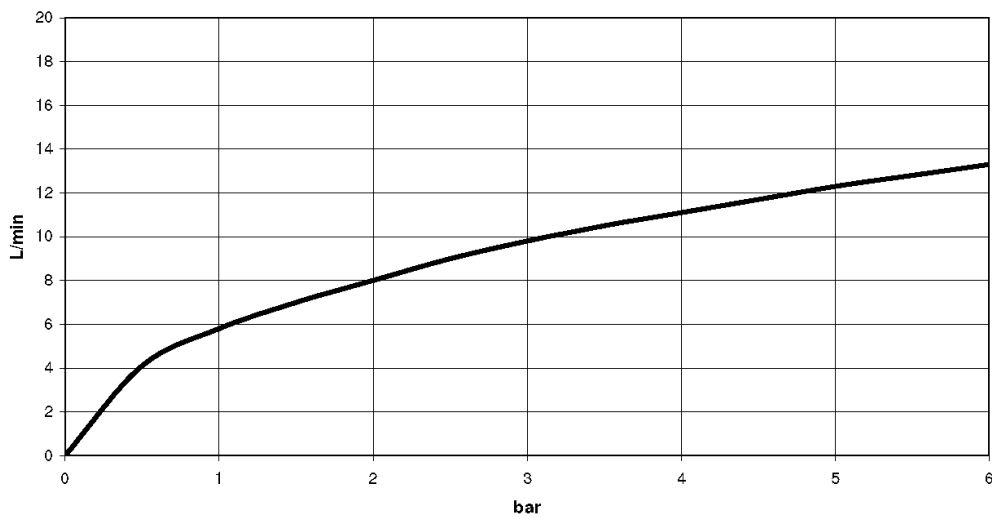
Dimensional drawing

mm [inches]



All dimensions in mm / inch = mm x 0,0394

Flow rate chart





Sink - Series-various

Affusion pipe - polished chrome

Article number: 27 728 971-00

Other surface finishes



platinum matte
27 728 971-06



platinum
27 728 971-08



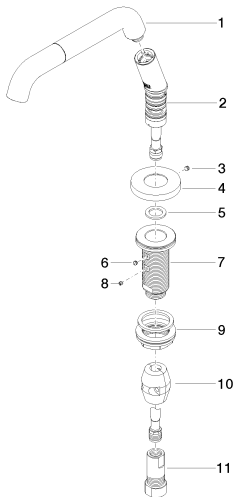
Brushed Durabronz
27 728 971-28



chrome matte
27 728 971-93

More custom finish options are available via special production (xTra Service). Please see our finish matrix for availability and pricing or contact a Dornbracht representative.

Spare parts list



Number	Item Number	Designation	Number of units
1	90 28 22 264 00-00	spout	1
2	90 28 22 260 00-00	spout	1
3	04 31 11 112 00 90	pin	1
4	09 27 22 042-00	rosette	1
5	09 14 15 065 90	seal	1
6	09 31 11 063 90	pin	1
7	09 30 01 195-00	connection	1
8	09 31 11 099 90	pin	1
9	04 23 10 009 01 90	fixing set	1
10	04 21 50 005 00 90	accessories	1
11	04 24 03 241 00 90	nipple	1